

6 5 4 3 2 1

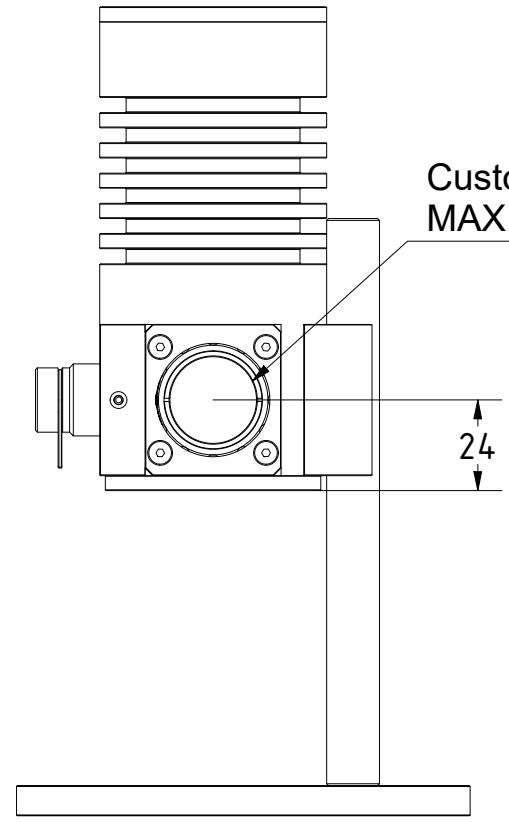
D

C

B

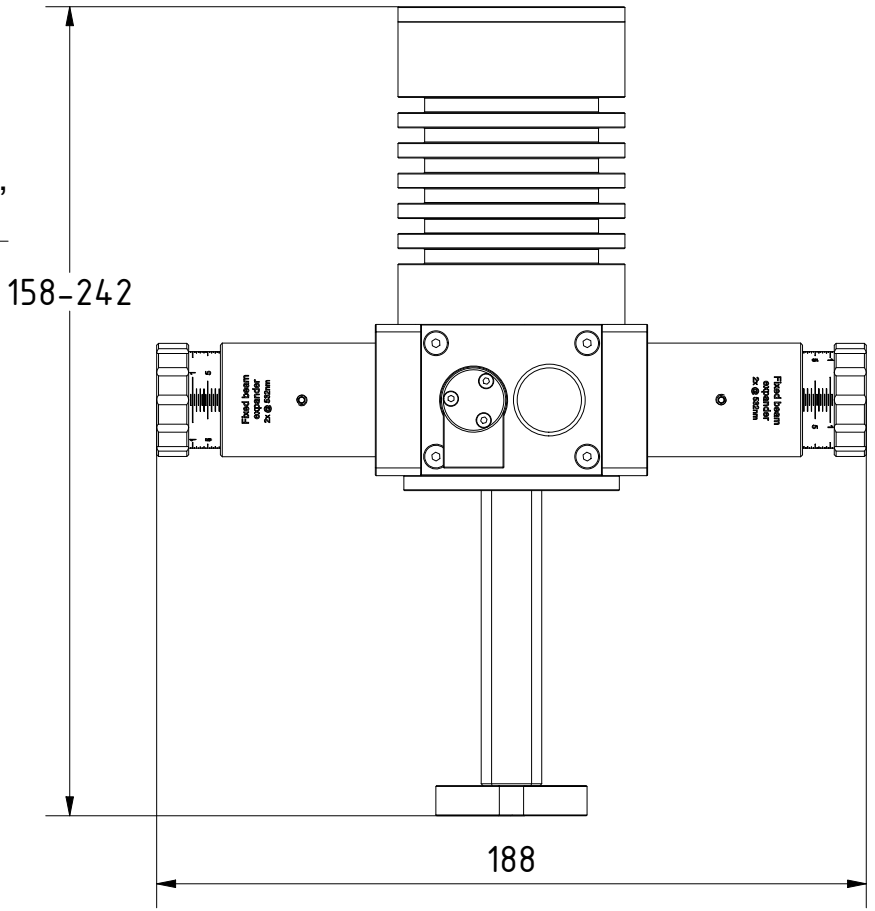
A

6 5 4 3 2 1



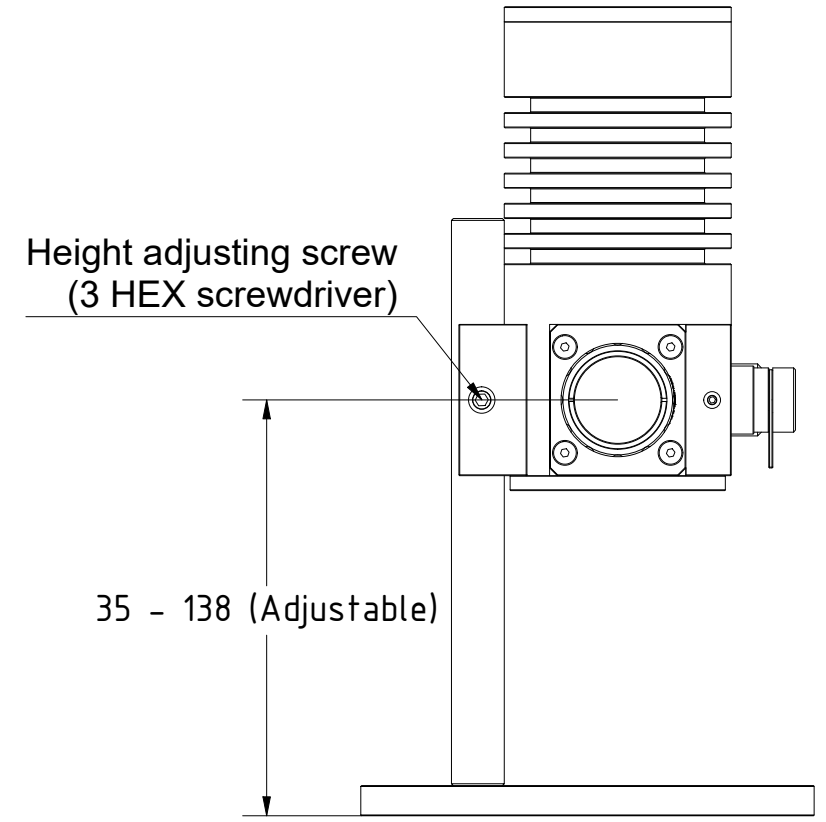
Customizable Input CA,
MAX up to Ø30

24



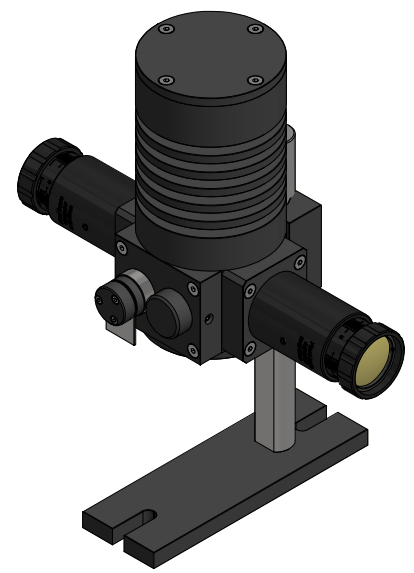
158-242

188

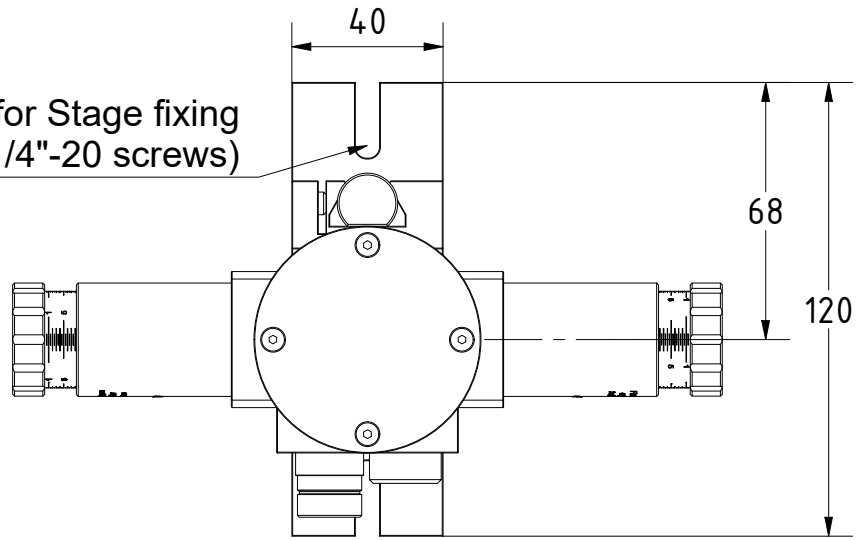


Height adjusting screw
(3 HEX screwdriver)

35 - 138 (Adjustable)



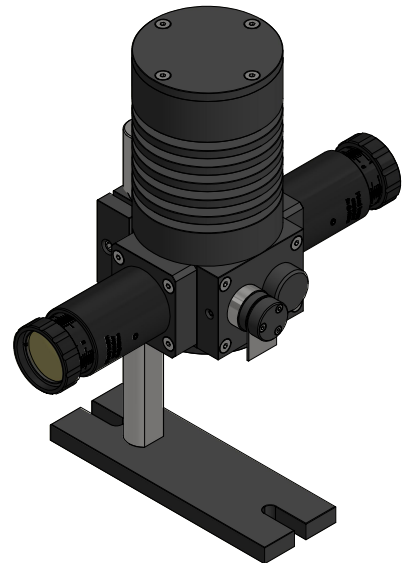
2 x Slots for Stage fixing
(fits M6x1.0 and 1/4"-20 screws)



40

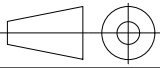

68

120



NOTE: Black anodized aluminium for VIS and NIR

! FOR INFORMATION ONLY NOT FOR MANUFACTURING PURPOSES !

Date	Name	First angle projection 	Finish: Anodized aluminium
Drawn			
2021-10-12	J. Girskis	Title:	Scale:
 Optogama UAB Optogama Mokslininku st. 2A, 08412 Vilnius, Lithuania		Vertical shutter with beam expanders	1 : 2
		Part No.	Sheet nr.
		VS	1/1
			A3